

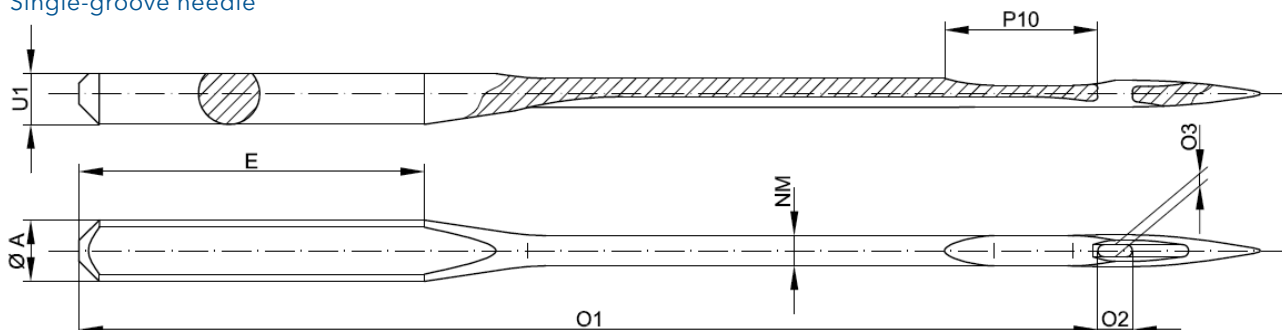
# Comparison of the main characteristics of overlock needles to the characteristics of the Universal Needle 130/705 H

In standard household sewing machines usually only variants of the needle system 130/705 H are used; these are suitable for all machine models. This is not the case with special sewing machines such as overlock and coverlock. Although a Universal Needle can be used with some special machines, many require a special needle system. These special needles are adapted to the requirements of the particular machine

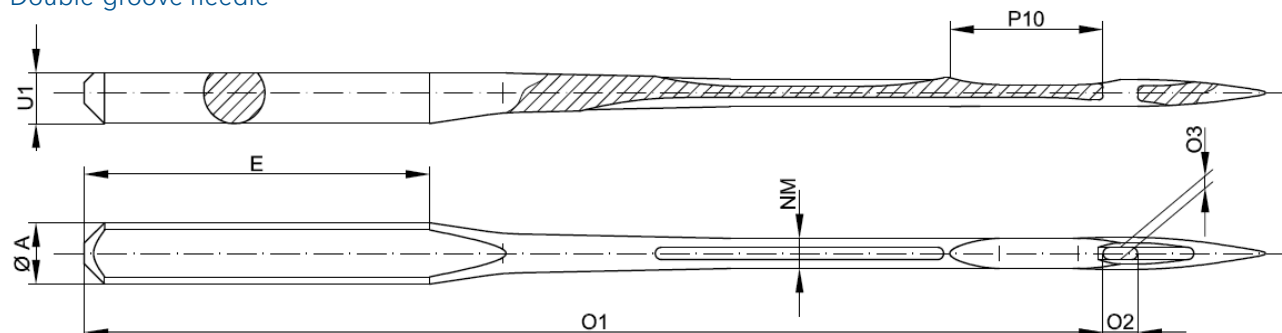
model and are not interchangeable with other household or overlock needles.

The figures illustrate the basic characteristics of single and double groove needles. The following list shows the differences between the various types of overlock needles and the Universal Needle 130/705 H.

Single-groove needle



Double-groove needle



**SCHMETZ**

Comparison of the main characteristics of overlock needles to the characteristics of the Universal Needle 130/705 H

		Features											Needle size													
Canu	System	Shank diameter A	Butt to eye O1	Length of shank E	Eye length O2	Eye width O3	Wider groove	Number of grooves	Scarf/eye area	Flattening U1	Point style	Surface	Special feature	NM 55	NM 60	NM 65	NM 70	NM 75	NM 80	NM 85	NM 90	NM 100	NM 110	NM 120	NM 125	NM 130
22:15 2	130/705 H / HAx1 Universal Needle	2.04	33.9	11.5	regular	regular	-	1	regular	regular	slightly rounded	nickel		•	•	•	•	•		•	•	•	•	•	•	•
03:36 1	B-27 / DCx27	2.02	28.6	10.0	shorter	regular	-	2	special	-	normal round point	chrome	reinforced blade	•	•	•	•	•	•	•	•	•	•	•	•	•
10:08EB1	BLx1	1.63	33.9	13.5	shorter	regular	-	1	special	-	light ball point	chrome						•	•	•						
03:33 1	DCx1	2.02	28.6	10.0	shorter	regular	-	2	special	-	normal round point	chrome	reinforced blade	•	•	•	•	•	•	•	•	•	•	•	•	•
03:34 2	DCx1F	2.02	28.6	10.0	shorter	regular	-	2	special	reduced	slightly rounded	nickel	reinforced blade					•		•						
22:40 2	ELx705	2.04	33.9	11.5	regular	regular	-	2	regular	regular	slightly rounded	nickel	reinforced blade						•		•					
	■																		■		■					
22:40 1	ELx705 CF	2.04	33.9	11.5	regular	regular	-	2	regular	regular	slightly rounded	chrome	reinforced blade		•				•		•					
	■																		■		■					
22:40FB1	ELx705 SUK CF	2.04	33.9	11.5	regular	regular	-	2	regular	regular	medium ball point	chrome	reinforced blade		•				•		•					
	■																		■		■					
22:82FB1	HAx1 SP	2.04	33.9	11.5	shorter	wide	yes	1	special	reduced	medium ball point	chrome	reinforced blade		•			•		•						
	□																		■		■					
22:80FB2	SY 2045 / 130/705 H-S	2.04	33.9	11.5	shorter	narrow	-	1	special	reduced	medium ball point	nickel			•			•		•						
12:31 2	SY 2054 / 16x75	1.63	33.9	14.0	regular	wide	yes	2	special	reduced	slightly rounded	nickel	reinforced blade					•		•		•				
12:31FB2	SY 2054 SUK / 16x75 SUK	1.63	33.9	14.0	regular	wide	yes	2	special	reduced	medium ball point	nickel	reinforced blade						•							
14:25 1	287 WH / 1738	1.63	33.9	16.0	regular	wide	yes	1	special	-	normal round point	chrome	reinforced blade		•		•		•		•	•	•			



**For further information on household needles, please contact:**

FERD. SCHMETZ GMBH, Bicherouxstraße 53-59, 52134 Herzogenrath, Germany

Tel. +49 (0)2406 / 85-185, Fax +49 (0)2406 / 85-186, [service@schmetz.com](mailto:service@schmetz.com), [www.schmetz.com](http://www.schmetz.com)

